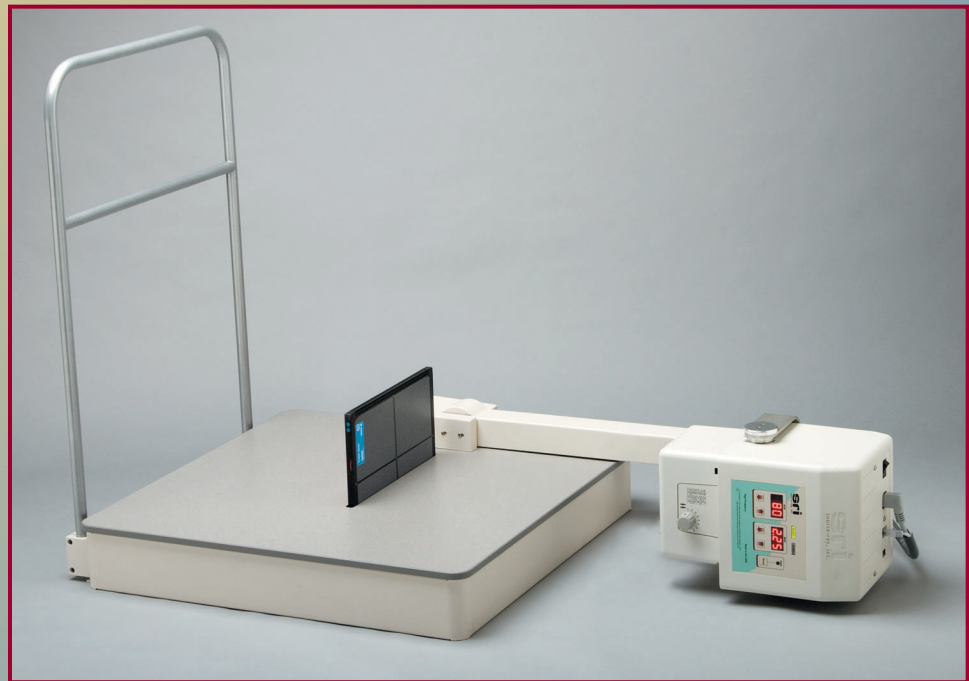


HIGH FREQUENCY PODIATRY X-RAY SYSTEM

sri
source-ray, inc.

Model: PXS-810

- CR / DR Compatible
- High Power Output (0.8kW)
- 80 kVp, 10 mA, 30 mAs
- High Frequency Generator
- Microprocessor Control
- Counterbalanced Locking Arm
- Cost Effective
- Designed for Reliability
- Durable Powder Coat Finish
- Optional Remote Control
- Limited 3 year Warranty



The Model PXS-810 was designed to provide Superior imaging performance and convenient patient positioning for the Podiatry professional, as well as Foot & Ankle Surgical Radiology applications.

The PXS-810 incorporates a High Frequency Generator to provide maximum mR/mAs, and has a microprocessor output of 80kV at 10mA. With its 0.5 mm focal spot x-ray tube, and high output generator, the model PXS-810 provides Excellent Image Resolution and Faster Exposure Times for Podiatry Radiography.

The Model PXS-810 has the power to compensate for the slower operating speed of CR Systems without compromising image quality.

The PXS-810 Radiographic Base has vertical slot to accommodate 10 x 12 film cassettes, and provides Patient Safety Railings that ensure safe positioning for physically unstable patients.



Generator High frequency resonant inverter – 0.8 kW

Input Voltage 115/230 VAC, 50/60Hz

kVp Range 40 – 80 kVp, adjustable in 1 kV increments - closed loop regulation

mA Range Fixed, 10 mA - closed loop regulation

mAs Range 0.10 - 30

Indicators Digital display of kVp and mAs.

Exposure Switch X-Ray, Ready and Fault indicators.
Detachable two-position

X-Ray Tube Stationary Anode 90 kVp

Filtration 2.9 mm aluminium

Target Material Tungsten

Anode Capacity 20,000 HU Storage

Focal Spot 0.5 mm

Target Angle 15°

Collimator Advantech R72/32-ET

Remote Control Optional

Radiographic Base

Size 30"x 30"x 41.3"

Source to Image Distance 28" / 71 cm

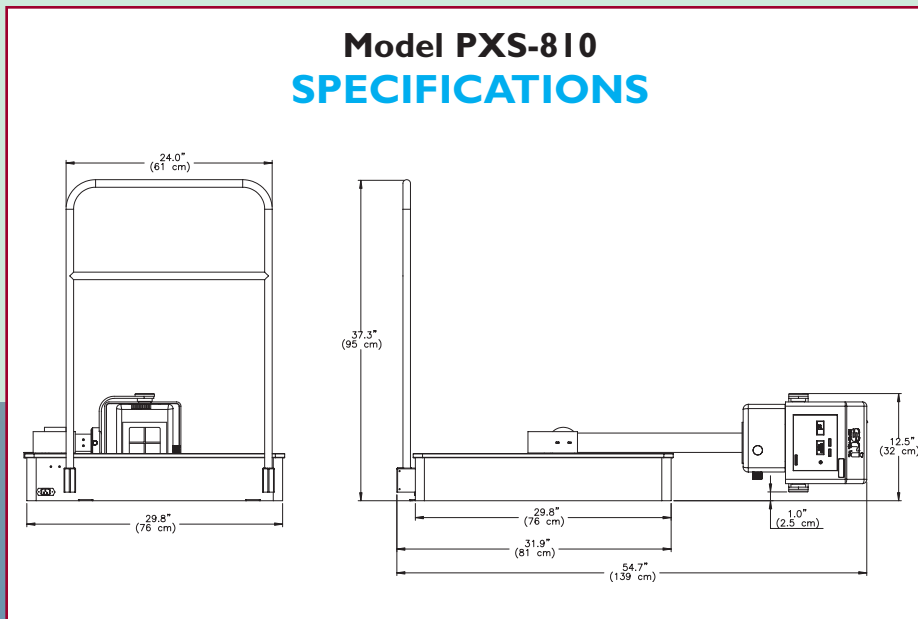
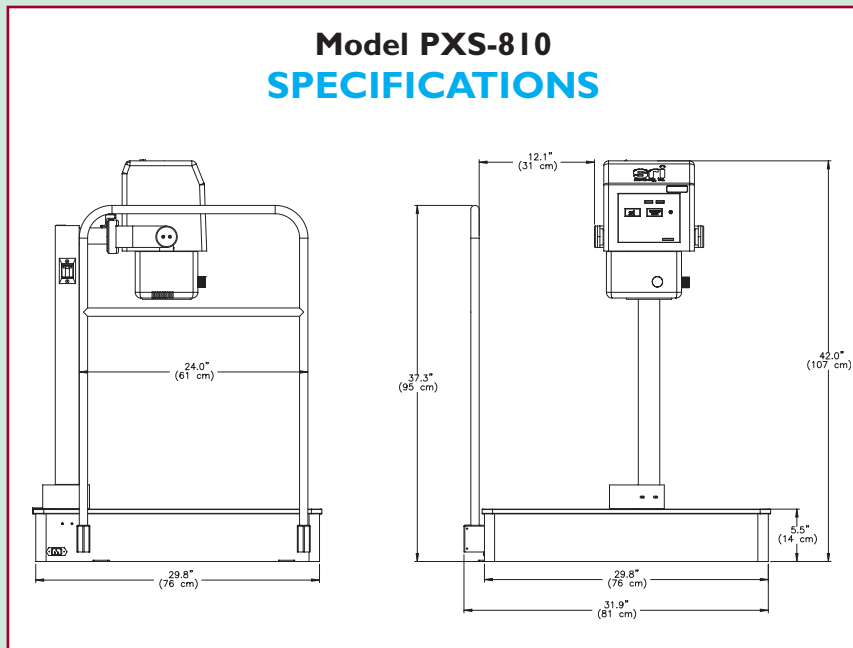
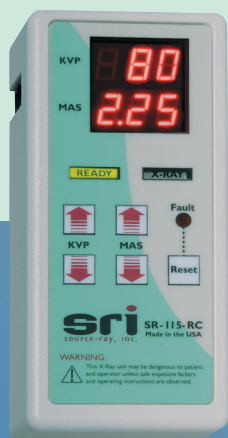
Balanced Locking Arm

Arm. Rotation 90°

Tube Rotation 180°

System Weight 80 lbs. / 36 kg

Optional Wall Mount Control



(Complies with CFR 21 Subchapter J)

Specifications are subject to change without notice.
 Names of companies and/or products appearing in this document are trademarks and /or registered trademarks for their respective companies.



Source-Ray, Inc. • 167 Keyland Court • Bohemia, NY 11716
 (631) 244-8200 • Email: sales@sourceray.com • fax (631) 244-7464